

**MSKTD & Associates**

Architecture | Engineering | Interior Design

1715 Magnavox Way Fort Wayne, IN 46804 260.432.9337

930 North Meridian Indianapolis, IN 46204 317.917.1190

www.msktd.com



PROJECT NO. 7327 DATE 10-05-18

REV. DATE

SET DESCRIPTION Construction Set

SHEET TITLE Wall Sections and Details

SHEET NUMBER

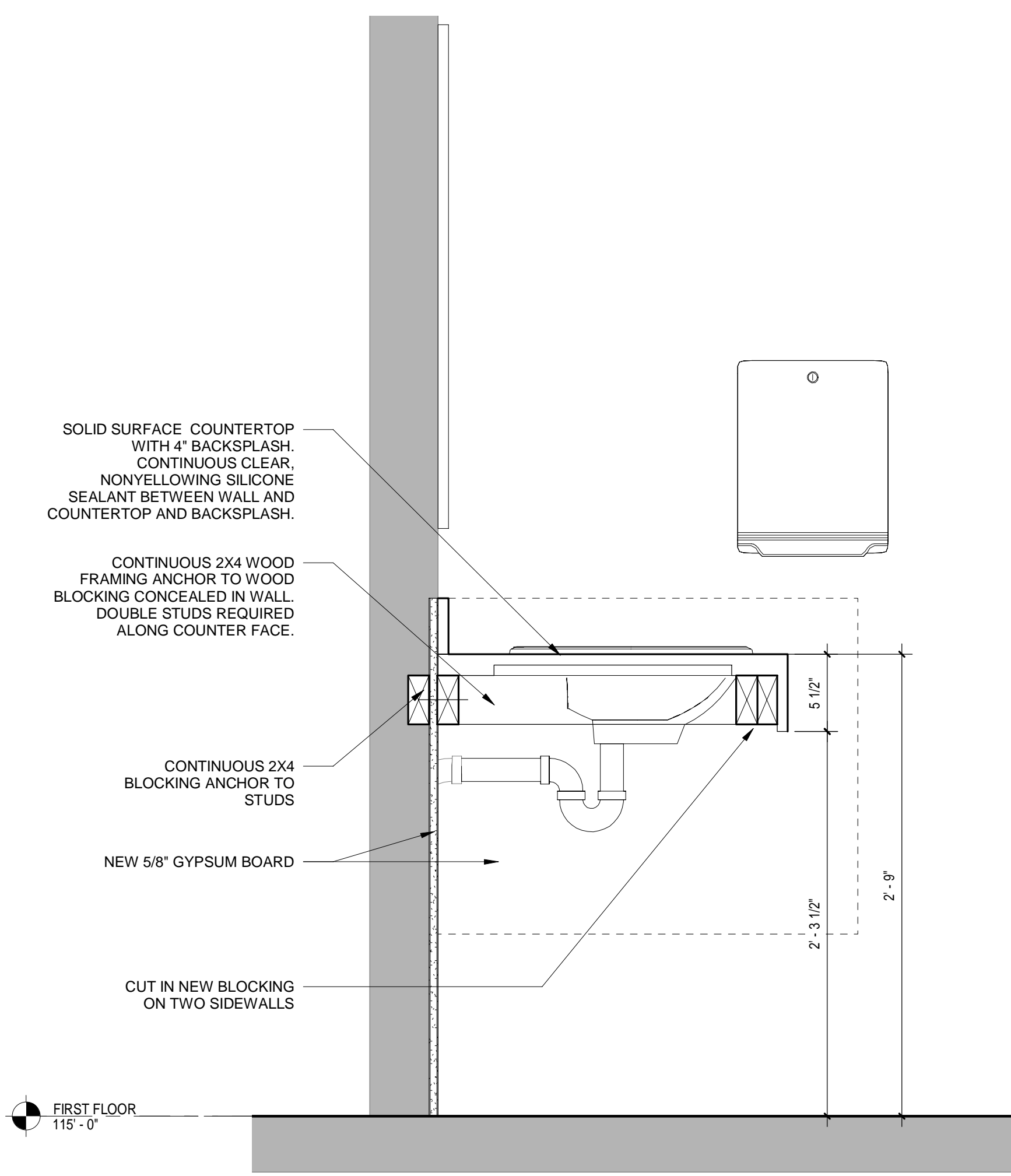
A5-1

PROJECT FOR: Indiana University East

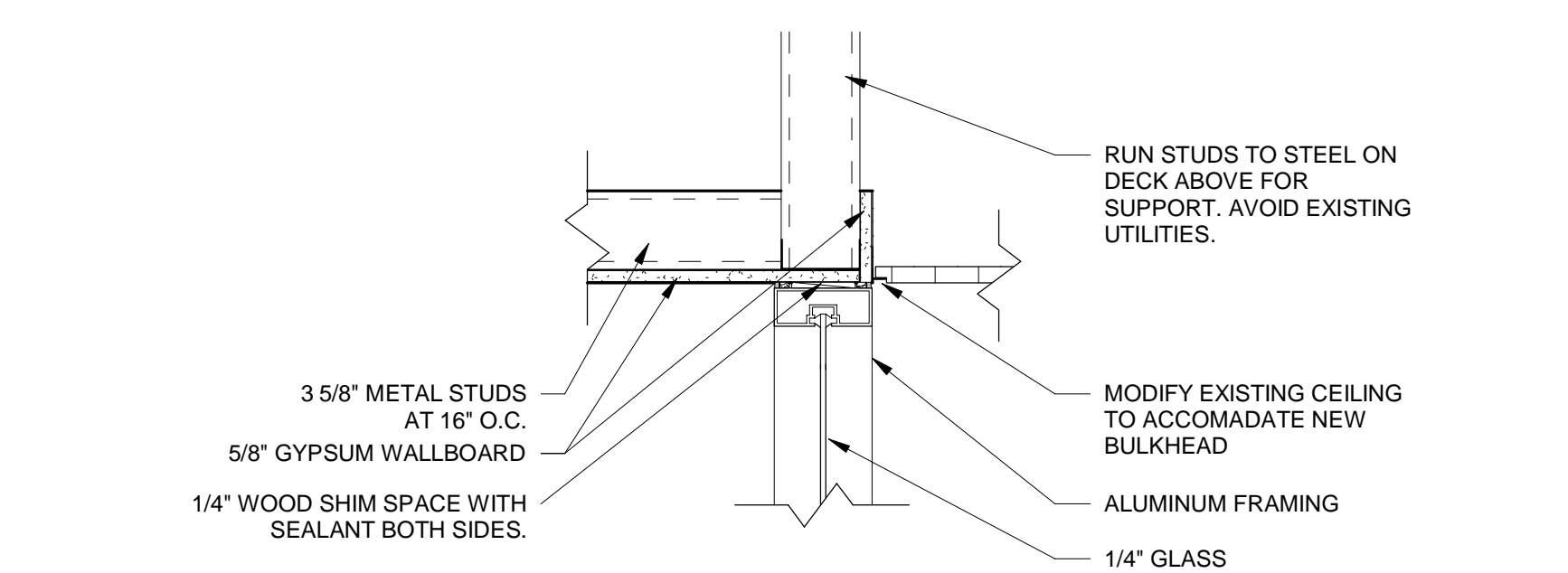
Brice E. Hayes Hall

Renovations to Rooms 099, 135, 137, & 140

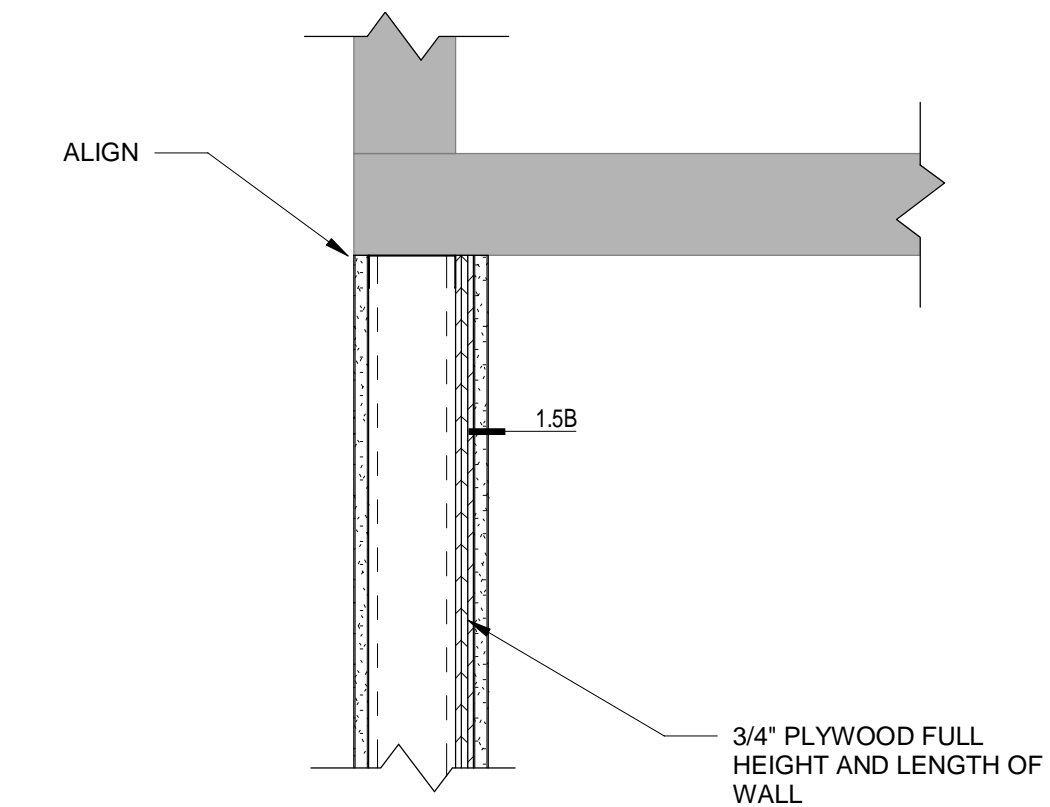
IU Project Number: 20170750



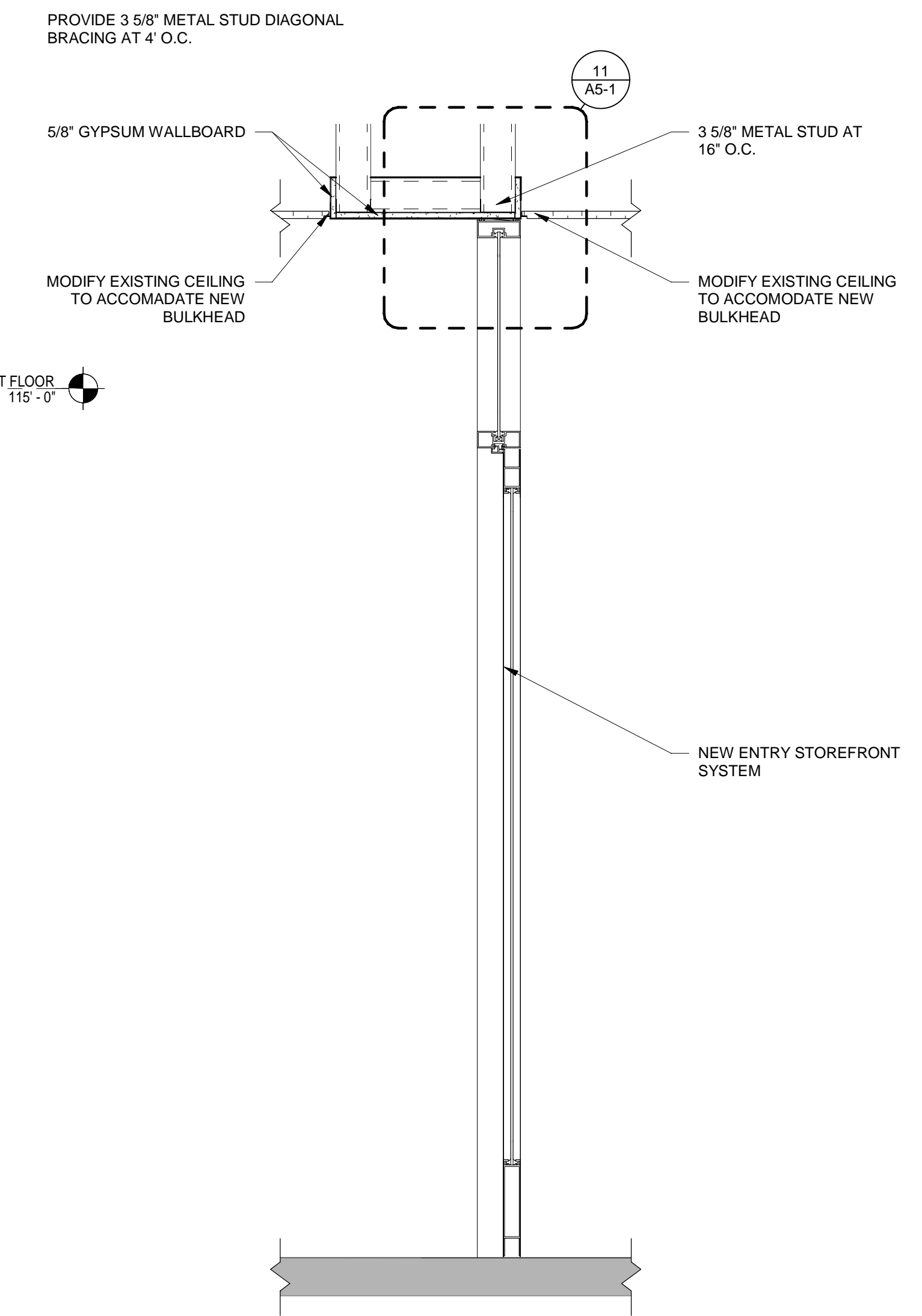
**10 Countertop Section**  
1 1/2" = 1'-0"



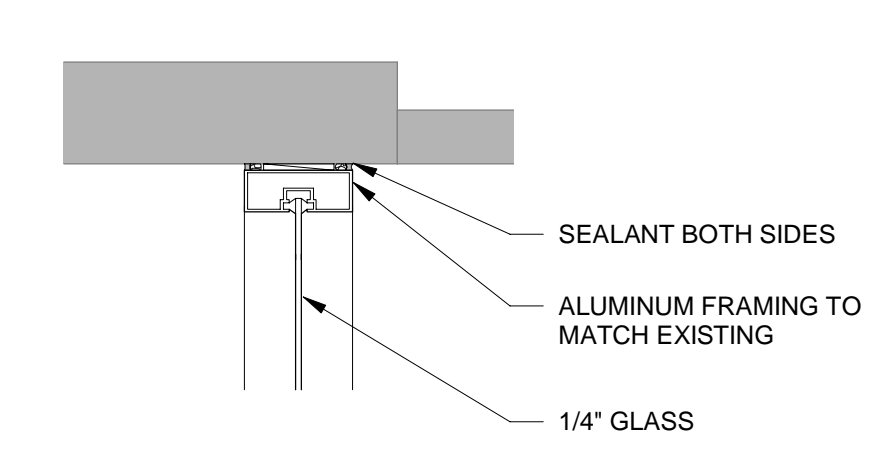
**11 Ceiling Detail**  
1 1/2" = 1'-0"



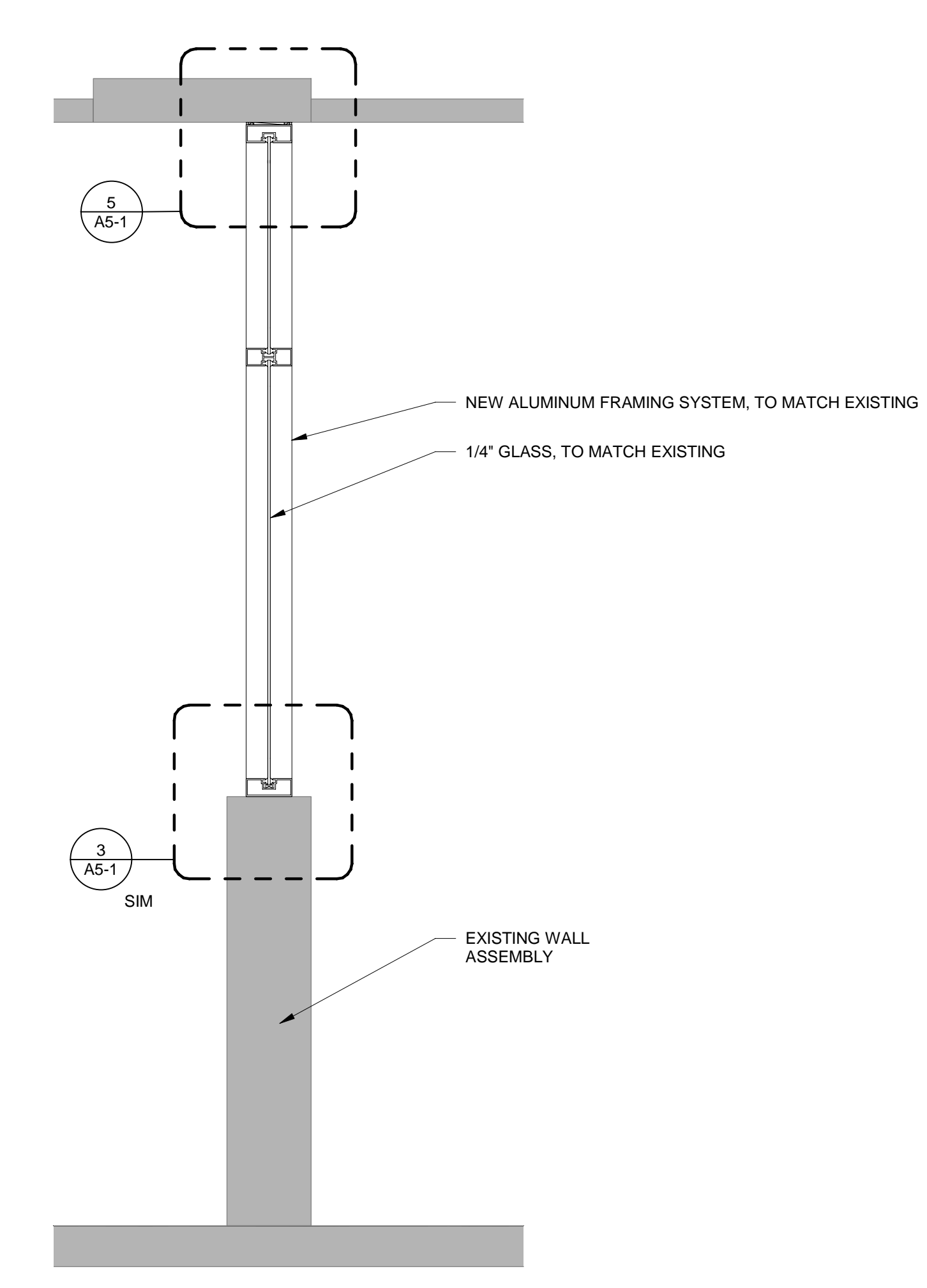
**8 Stud Wall**  
1 1/2" = 1'-0"



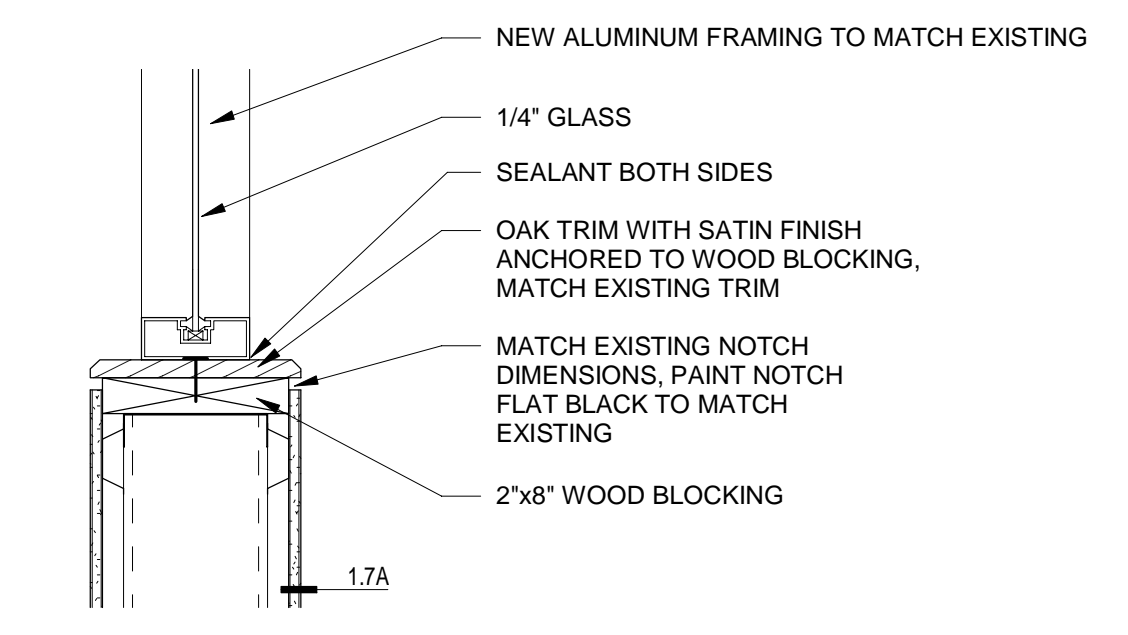
**7 Door**  
1" = 1'-0"



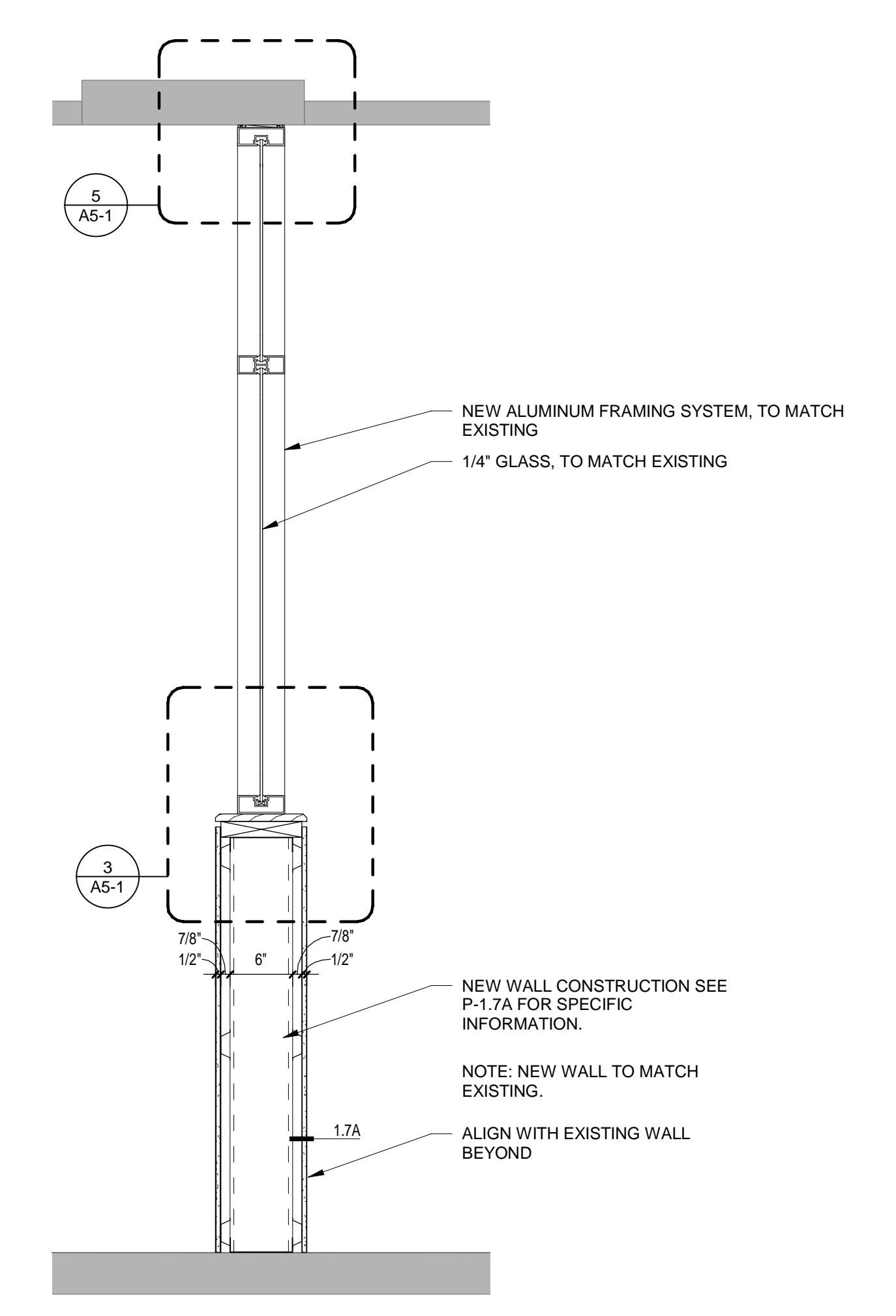
**5 Ceiling Connection Detail**  
1 1/2" = 1'-0"



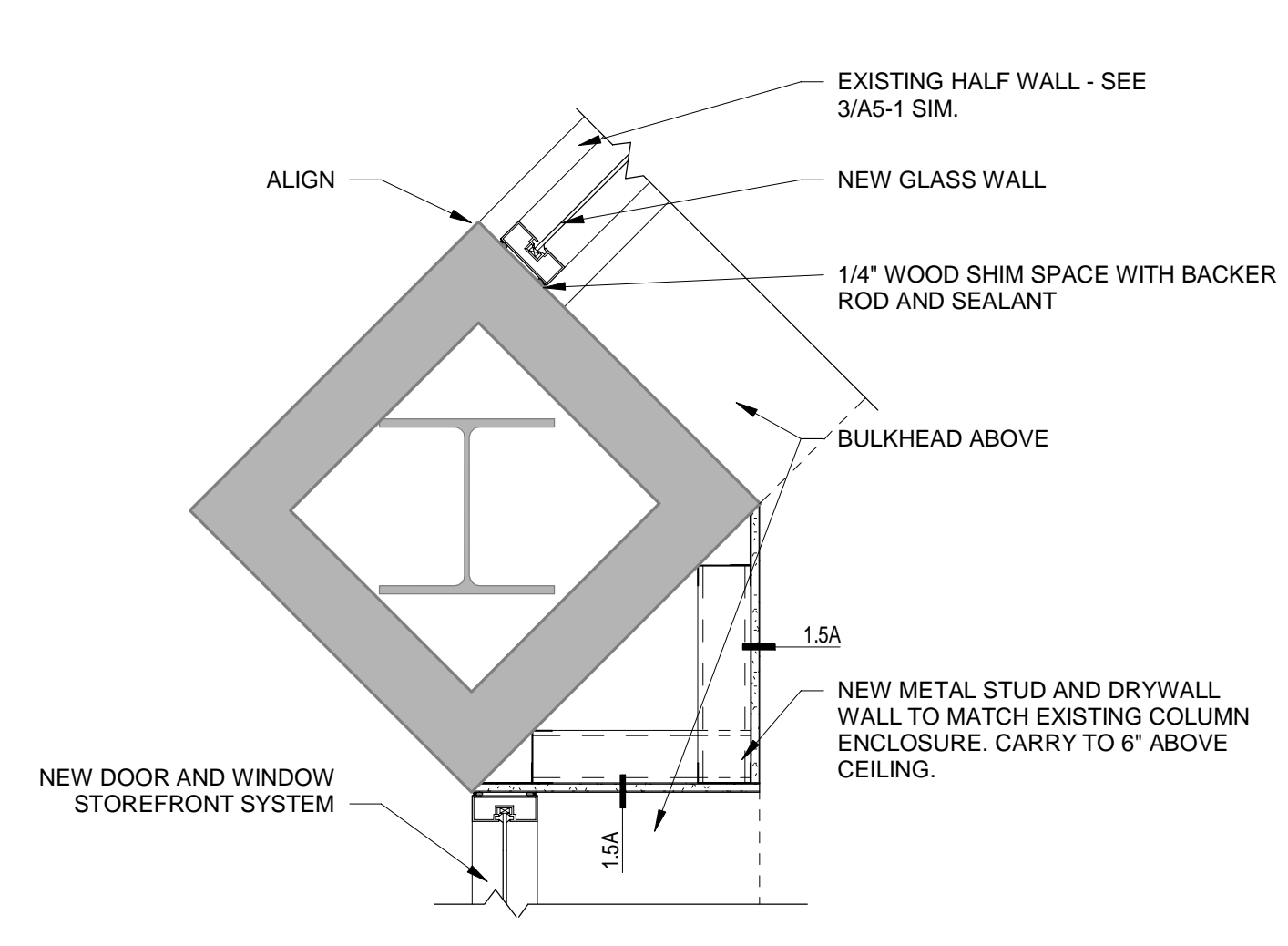
**4 Existing Wall System**  
1" = 1'-0"



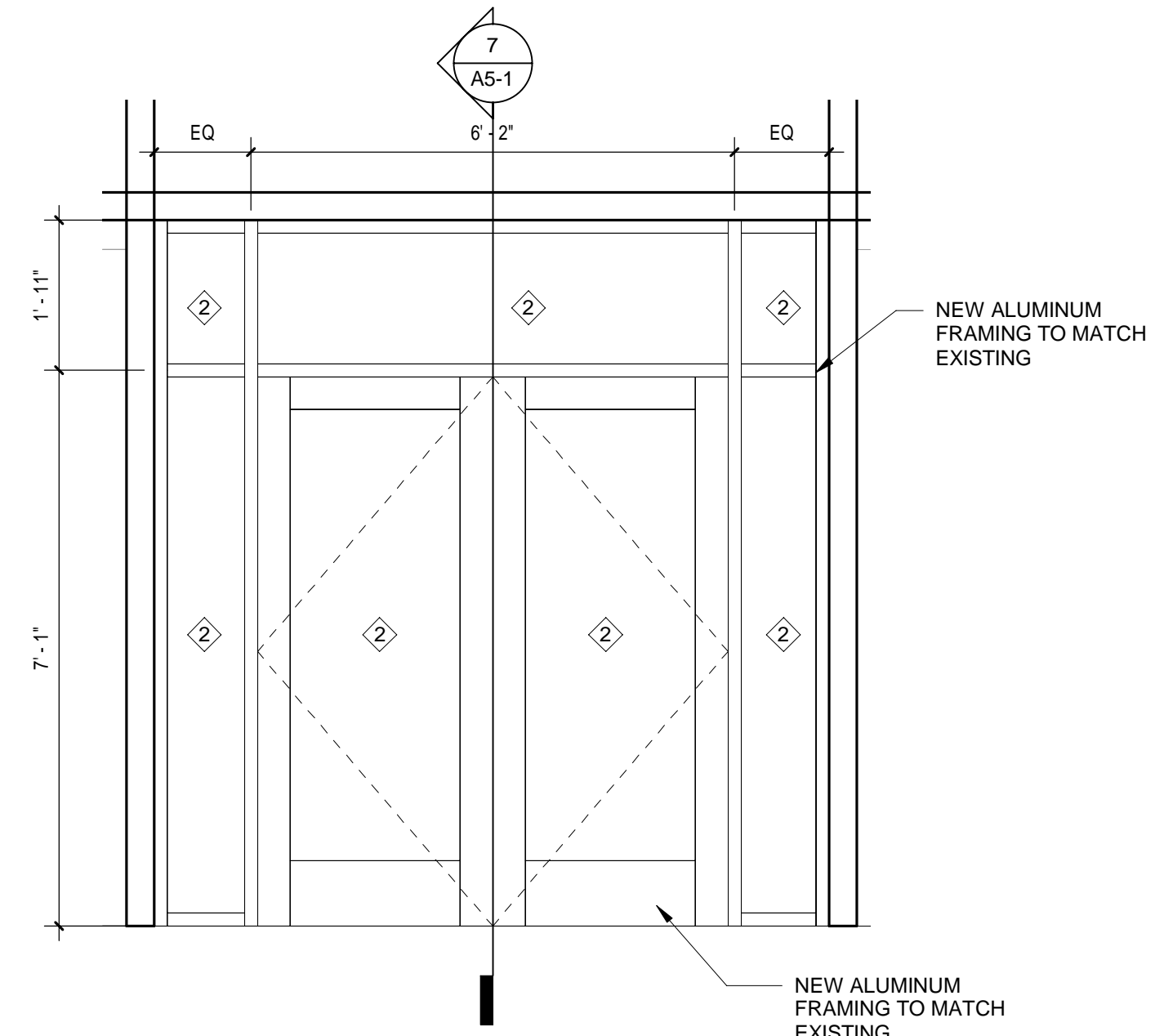
**3 Wall Connection Detail**  
1 1/2" = 1'-0"



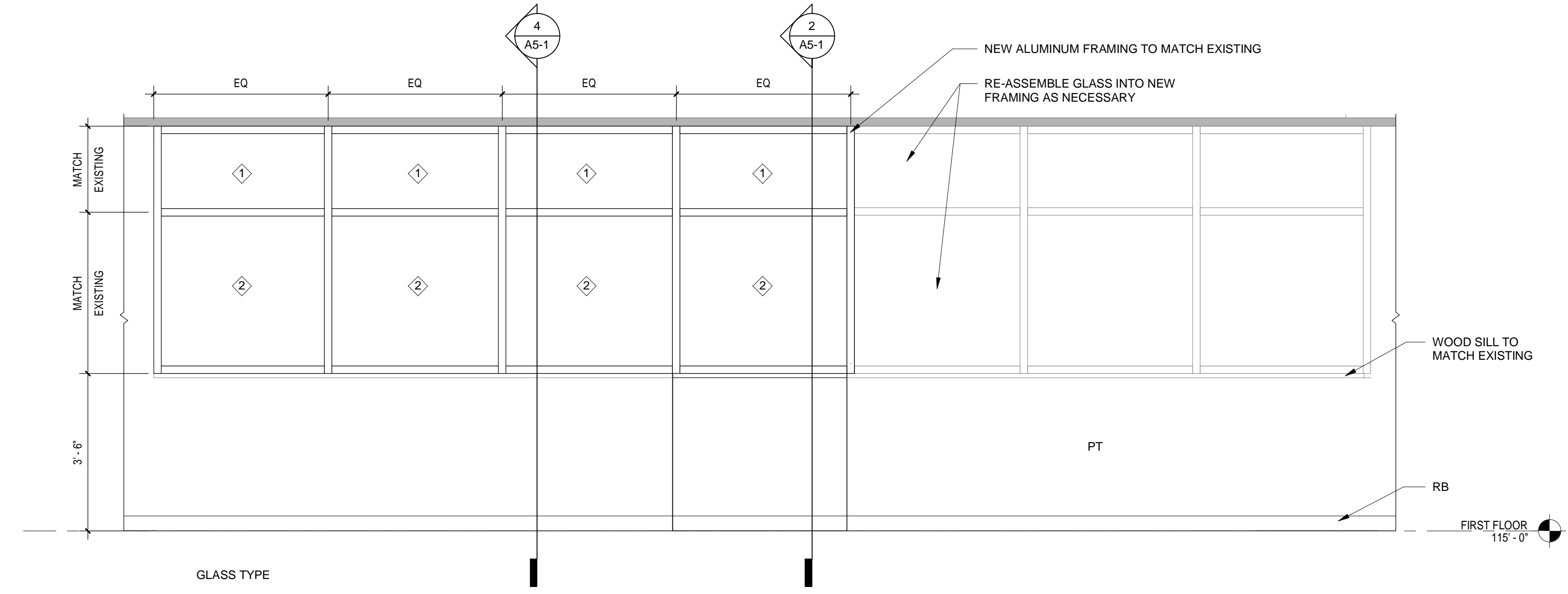
**2 New Wall System**  
1" = 1'-0"



**9 Entry Column Detail**  
1" = 1'-0"



**6 Door Elevation**  
1/2" = 1'-0"



**1 Window Wall Elevation**  
1/2" = 1'-0"

- GLASS TYPE
- ① 1/4" CLEAR
  - ② 1/4" CLEAR - TEMPERED

8/27/2018 2:58:10 PM